

BROADWAY SHEET METAL & MFG.

STAINLESS STEEL FLOOR TROUGHS					
MODEL#	LENGTH X WIDTH	MODEL#	LENGTH X WIDTH	MODEL #	LENGTH X WIDTH
BFT-2412	24" X 12"	BFT-2418	24" X 18"	BFT-2424	24" X 24"
BFT-3612	36" X 12"	BFT-3618	36" X 18"	BFT-3624	36" X 24"
BFT-4812	48" X 12"	BFT-4818	48" X 18"	BFT-4824	48" X 24"
BFT-6012	60" X 12"	BFT-6018	60" X 18"	BFT-6024	60" X 24"
BFT-7212	72" X 12"	BFT-7218	72" X 18"	BFT-7224	72" X 24"
BFT-8412	84" X 12"	BFT-8418	84" X 18"	BFT-8424	84" X 24"
BFT-9612	96" X 12"	BFT-9618	96" X 18"	BFT-9624	96" X 24"
BFT-10812	108" X 12"	BFT-10818	108" X 18"	BFT-10824	108" X 24"
BFT-12012	120" X 12"	BFT-12018	120" X 18"	BFT-12024	120" X 24"
BFT-13212	132" X 12"	BFT-13218	132" X 18"	BFT-13224	132" X 24"
BFT-14012	140" X 12"	BFT-14018	140" X 18"	BFT-14024	140" X 24"

JOB

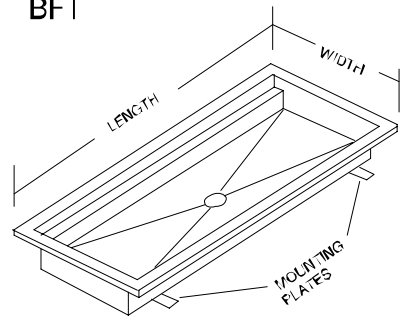
MODEL#

ITEM#

QUANTITY

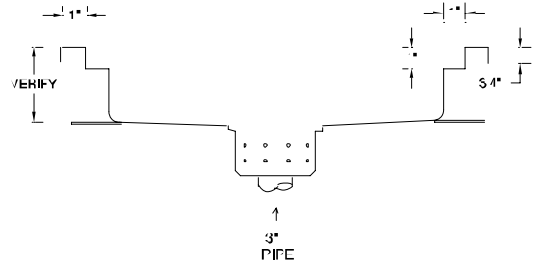


BFT



SPECIFICATIONS:

As fabricated by Broadway Sheet Metal & Manufacturing, So. San Francisco, CA. Grating to be 3/16" X 1", type 304 Stainless steel bars on 1" center.



CUSTOM SPECIFICATIONS:

133 Starlite Street, So. San Francisco, California 94080
PH (650) 873-4585 FX (650) 873-4582 EMAIL: BSMMFG@PACBELL.NET