

BROADWAY SHEET METAL & MFG.

DRAWERS	
MODEL#	WIDTH X DEPTH X HEIGHT
BDR-1520	15" X 20" X 5"
BDR-2020	20" X 20" X 5"

JOB

MODEL#

ITEM#

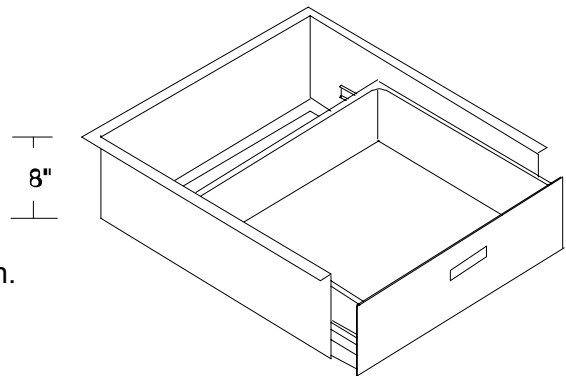
QUANTITY



BDR

SPECIFICATIONS:

Drawers as manufactured by Broadway Sheet Metal and Manufacturing, So. San Francisco, California. Drawers come standard with stainless steel removable covered pan, stainless steel face with recessed stainless steel pull handle. Heavy duty ball bearing slides. Dimensions are inside drawer pan. Cylinder locks & plastic pans available upon request



CUSTOM SPECIFICATIONS:

133 Starlite Street, So. San Francisco, California 94080
PH (650) 873-4585 FX (650) 873-4582 EMAIL: BSMFMFG@PACBELL.NET