

BROADWAY

SHEET METAL & MFG.

ENCLOSED CABINETS, HINGED FRONT DOORS

MODEL#	LENGTH x WIDTH
BCDS-4836	48" x 36"
BCDS-6036	60" x 36"
BCDS-7236	72" x 36"
BCDS-8436	84" x 36"
BCDS-9636	96" x 36"
BCDS-10836	108" x 36"
BCDS-12036	120" x 36"
BCDS-13236	132" x 36"
BCDS-14036	140" x 36"

MODEL #	LENGTH x WIDTH
BCDS-4830	48" x 30"
BCDS-6030	60" x 30"
BCDS-7230	72" x 30"
BCDS-8430	84" x 30"
BCDS-9630	96" x 30"
BCDS-10830	108" x 30"
BCDS-12030	120" x 30"
BCDS-13230	132" x 30"
BCDS-14030	140" x 30"

JOB

MODEL#

ITEM#

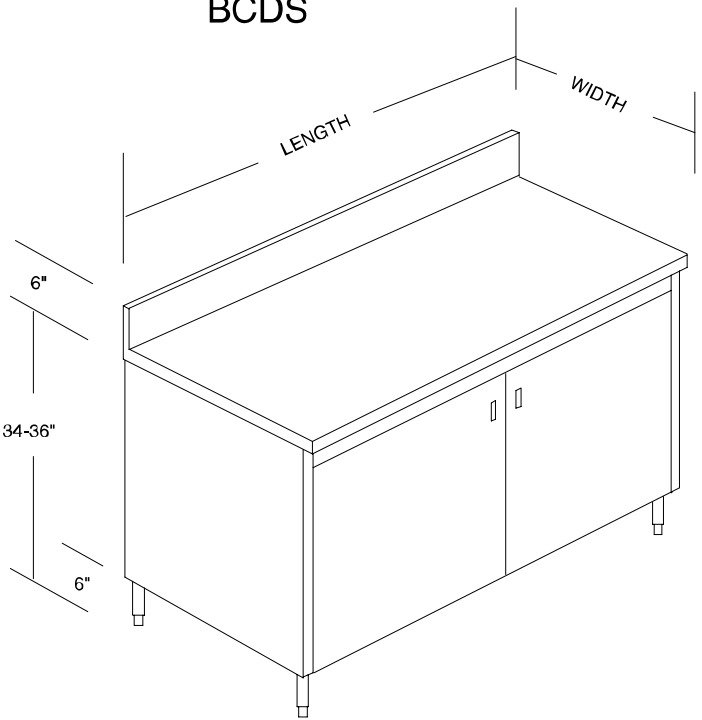
QUANTITY

SPECIFICATIONS:

Enclosed cabinets as manufactured by Broadway Sheet Metal and Manufacturing, So. San Francisco, California. 14 gauge stainless steel type 304 #4 finish top with 16 gauge shelves. 18 gauge stainless steel type 304 #4 finish sides and back, 6" back splash, option side splash left and/or right side. Hinged double panel doors. 1 5/8" round stainless steel legs with stainless steel adjustable feet. Cabinets 84" and longer will have 6 legs.



BCDS



CUSTOM SPECIFICATIONS

133 Starlite Street, So. San Francisco, California 94080
 PH (650) 873-4585 FX (650) 873-4582 EMAIL: BSMMG@PACBELL.NET