

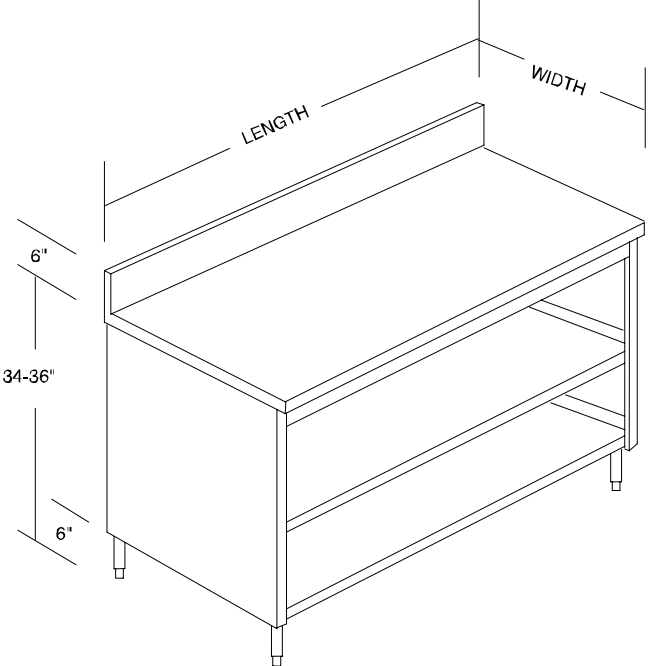
BROADWAY SHEET METAL & MFG.

ENCLOSED CABINETS, OPEN SHELF			
MODEL#	LENGTH x WIDTH		MODEL #
BCOS-4824	48" x 24"		BCOS-4830
BCOS-6024	60" x 24"		BCOS-6030
BCOS-7224	72" x 24"		BCOS-7230
BCOS-8424	84" x 24"		BCOS-8430
BCOS-9624	96" x 24"		BCOS-9630
BCOS-10824	108" x 24"		BCOS-10830
BCOS-12024	120" x 24"		BCOS-12030
BCOS-13224	132" x 24"		BCOS-13230
BCOS-14024	140" x 24"		BCOS-14030

JOB
MODEL#
ITEM#
QUANTITY



BCOS



SPECIFICATIONS:

Enclosed cabinets as manufactured by Broadway Sheet Metal and Manufacturing, So. San Francisco, California.. 14 gauge stainless steel type 304 #4 finish top with 16 gauge shelves. Sides and back to be 18 gauge stainless steel, optional side splash left and/or right side. Open front, 1 5/8" round stainless steel legs with stainless steel adjustable feet.

CUSTOM SPECIFICATIONS

133 Starlite Street, So. San Francisco, California 94080
PH (650) 873-4585 FX (650) 873-4582 EMAIL: BSMMG@PACBELL.NET