

BROADWAY SHEET METAL & MFG.

TABLE MOUNT DOUBLE OVERSHELVES			
MODEL#	LENGTH X WIDTH	MODEL#	LENGTH X WIDTH
BDOS-4816	48" X 16"	BDOS-4818	48" X 18"
BDOS-6016	60" X 16"	BDOS-6018	60" X 18"
BDOS-7216	72" X 16"	BDOS-7218	72" X 18"
BDOS-8416	84" X 16"	BDOS-8418	84" X 18"
BDOS-9616	96" X 16"	BDOS-9618	96" X 18"
BDOS-10816	108" X 16"	BDOS-10818	108" X 18"
BDOS-12016	120" X 16"	BDOS-12018	120" X 18"
BDOS-13216	132" X 16"	BDOS-13218	132" X 18"
BDOS-14016	140" X 16"	BDOS-14018	140" X 18"

JOB

MODEL#

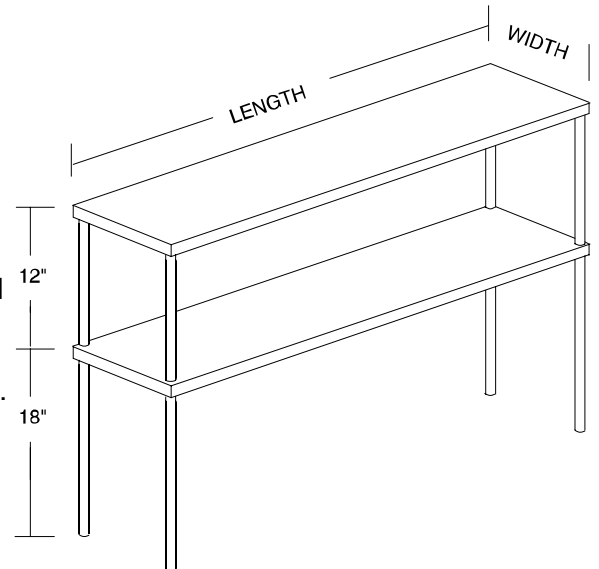
ITEM#

QUANTITY



SPECIFICATIONS:

Table mounted double shelves as manufactured by Broadway Sheet Metal and Manufacturing, South San Francisco, CA . Shelf to be 16 gauge stainless Steel, type 304, #4 finish. All corners welded, ground And polished. Bottom shelf to be 18" above table top, Top shelf to be 12" above bottom shelf. 1 5/8" round Stainless steel legs, shelves over 84" will have 6 legs.



CUSTOM SPECIFICATIONS: