

BROADWAY SHEET METAL & MFG.

TABLE MOUNT SINGLE OVERSHELF					
MODEL#	LENGTH X WIDTH	MODEL#	LENGTH X WIDTH	MODEL #	LENGTH X WIDTH
BSOS-4810	48" X 10"	BSOS-4812	48" X 12"	BSOS-4814	48" X 14"
BSOS-6010	60" X 10"	BSOS-6012	60" X 12"	BSOS-6014	60" X 14"
BSOS-7210	72" X 10"	BSOS-7212	72" X 12"	BSOS-7214	72" X 14"
BSOS-8410	84" X 10"	BSOS-8412	84" X 12"	BSOS-8414	84" X 14"
BSOS-9610	96" X 10"	BSOS-9612	96" X 12"	BSOS-9614	96" X 14"
BSOS-10810	108" X 10"	BSOS-10812	108" X 12"	BSOS-10814	108" X 14"
BSOS-12010	120" X 10"	BSOS-12012	120" X 12"	BSOS-12014	120" X 14"
BSOS-13210	132" X 10"	BSOS-13212	132" X 12"	BSOS-13214	132" X 14"
BSOS-14010	140" X 10"	BSOS-14012	140" X 12"	BSOS-14014	140" X 14"

JOB

MODEL#

ITEM#

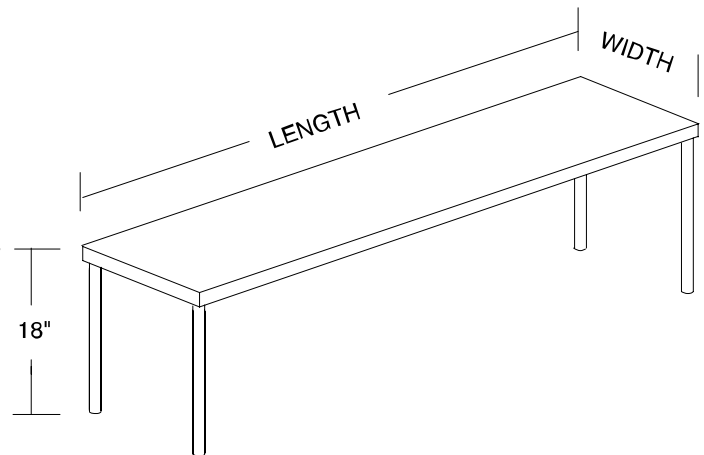
QUANTITY



BSOS

SPECIFICATIONS:

Table mounted single shelf as manufactured by Broadway Sheet Metal and Manufacturing, South San Francisco, CA. Shelf to be 16 gauge stainless Steel, type 304, #4 finish. Shelf to be supported by 4-1 5/8" round stainless steel polished tubing. Shelf to be 18" above the table top. Shelves 84" and longer to have 6 legs.



CUSTOM SPECIFICATIONS: