

BROADWAY SHEET METAL & MFG.

WALL MOUNT SHELVES WITH UTENSIL RACK

MODEL#	LENGTH X WIDTH	MODEL#	LENGTH X WIDTH
BWSUR-2412	24" X 12"	BWSUR-2414	24" X 14"
BWSUR-3612	36" X 12"	BWSUR-3614	36" X 14"
BWSUR-4812	48" X 12"	BWSUR-4814	36" X 14"
BWSUR-6012	60" X 12"	BWSUR-6014	60" X 14"
BWSUR-7212	72" X 12"	BWSUR-7214	72" X 14"
BWSUR-8412	84" X 12"	BWSUR-8414	84" X 14"
BWSUR-9612	96" X 12"	BWSUR-9614	96" X 14"
BWSUR-10812	108" X 12"	BWSUR-10814	108" X 14"
BWSUR-12012	120" X 12"	BWSUR-12014	120" X 14"
BWSUR-13212	132" X 12"	BWSUR-13214	132" X 14"
BWSUR-14012	140" X 12"	BWSUR-14014	140" X 14"

JOB

MODEL#

ITEM#

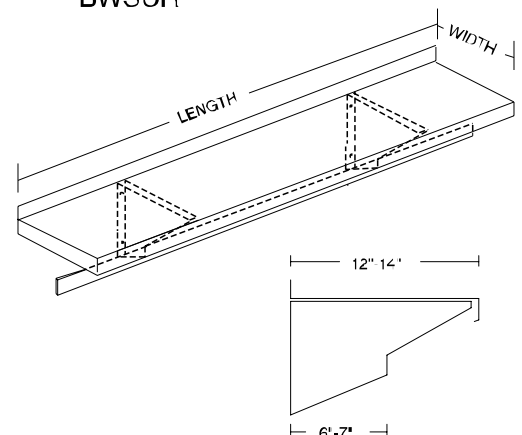
QUANTITY



SPECIFICATIONS:

Wall Mount Shelves with Pot Rack as manufactured By Broadway Sheet Metal & Manufacturing, South San Francisco, CA. 16 gauge stainless Steel type 304, #4 finish wall mount shelf with single pot rack. Corners to be welded, ground and polished. 2" turn up at back . Sides & front turned down 2". 14 gauge stainless steel wall brackets. Utensil rack to be stainless steel 1/4" x 2" flat stock with pot hangers supplied 1 every 8".

BWSUR



CUSTOM SPECIFICATIONS:

133 Starlite Street, So. San Francisco, California 94080
PH (650) 873-4585 FX (650) 873-4582 EMAIL: BSMFMFG@PACBELL.NET