

BROADWAY SHEET METAL & MFG.

MIXER STAND, WITH UNDERSHELF, AND CASTERS	
MODEL#	LENGTH x WIDTH
BMSS-C24	24" x 24"
BMSS-C28	28" x 28"
BMSS-C30	30" x 30"

JOB

MODEL#

ITEM#

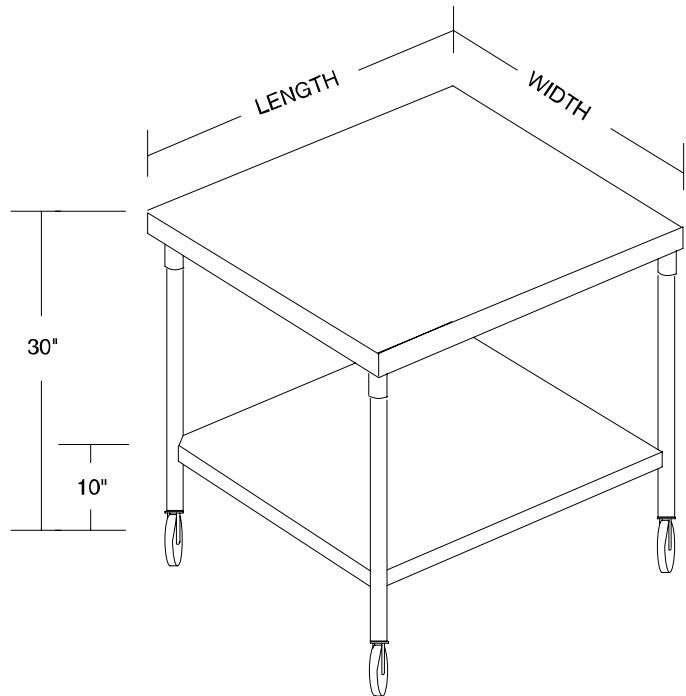
QUANTITY



BMSS-C

SPECIFICATIONS:

Mixer stand as manufactured by Broadway Sheet Metal and MFG. So. San Francisco, California. Equipment stand top to be made of 16 gauge stainless steel type 304, #4 finish. Four sides with NSF radius turn down, underside to be stainless steel channel re-enforced. Undersheff to be 16 gauge stainless steel 1 5/8" round legs. Each leg to have a 3" caster, 2 of these casters are to have brakes.



CUSTOM SPECIFICATIONS:

133 Starlite Street, So. San Francisco, California 94080
PH (650) 873-4585 FX (650) 873-4582 EMAIL: BSMMFG@PACBELL.NET