

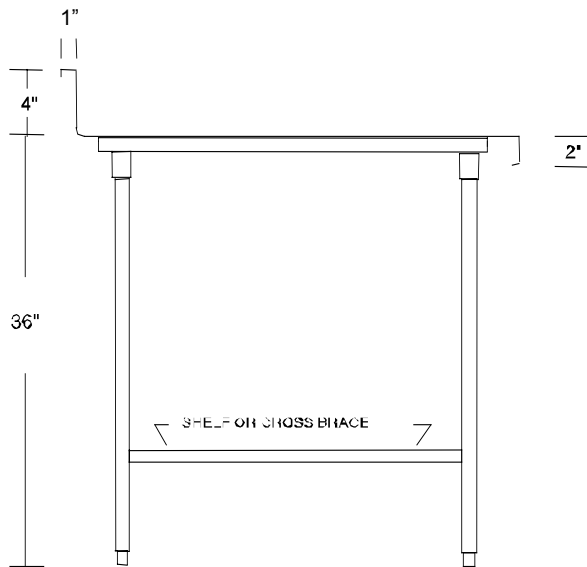
BROADWAY SHEET METAL & MFG.

STANDARD TABLE INFORMATION

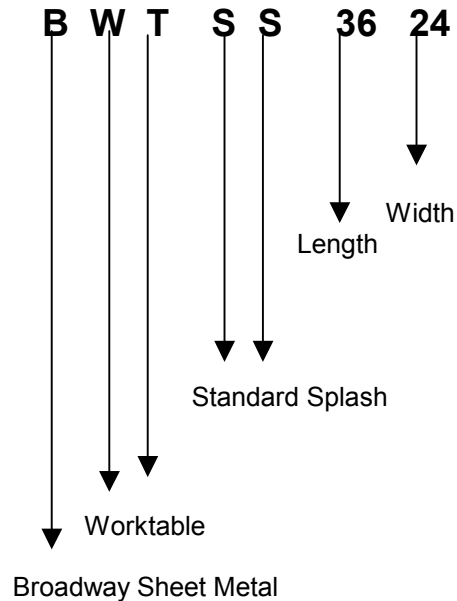
GENERAL SPECIFICATIONS

16 gauge type 304 stainless steel custom standard table as manufactured by Broadway Sheet Metal and Manufacturing, So.San Francisco, California. All corners to be radius covered conforming to NSF standards. Backsplash to be 4" to 6" high with 45 degree angle and 1" back & 3/4" turned down. 1-5/8" tubular, 16 gauge stainless steel legs with NSF adjustable bullet feet fitted into stainless steel leg sockets, sockets are welded to a re-enforced plate which is welded to the sinks.

Side View with Dimensions



Model Number ID Key



133 Starlite Street, So.San Francisco, California 94080
 PH (650) 873-4585 FX (650) 873-4582 EMAIL-BSMMFG@PACBELL.NET