

BROADWAY

SHEET METAL & MFG.

DOUBLE TUB, DRAINBOARDS LEFT & RIGHT				
MODEL#	TUB SIZE	DRAINBOARD	LENGTH	WIDTH
BS2-1717-DBLR18	17" X 17"	18"	72"	24"
BS2-1717-DBLR24	17" X 17"	24"	84"	24"
BS2-1723-DBLR18	17" X 23"	18"	72"	30"
BS2-1723-DBLR24	17" X 23"	24"	84"	30"
BS2-2323-DBLR24	23" X 23"	24"	96"	30"
BS2-2323-DBLR30	23" X 23"	30"	108"	30"
BS2-2329-DBLR30	23" X 29"	30"	108"	36"
BS2-2329-DBLR36	23" X 29"	36"	120"	36"
BS2-2929-DBLR30	29" X 29"	30"	120"	36"
BS2-2929-DBLR36	29" X 29"	36"	132"	36"

JOB

ITEM#

MODEL#

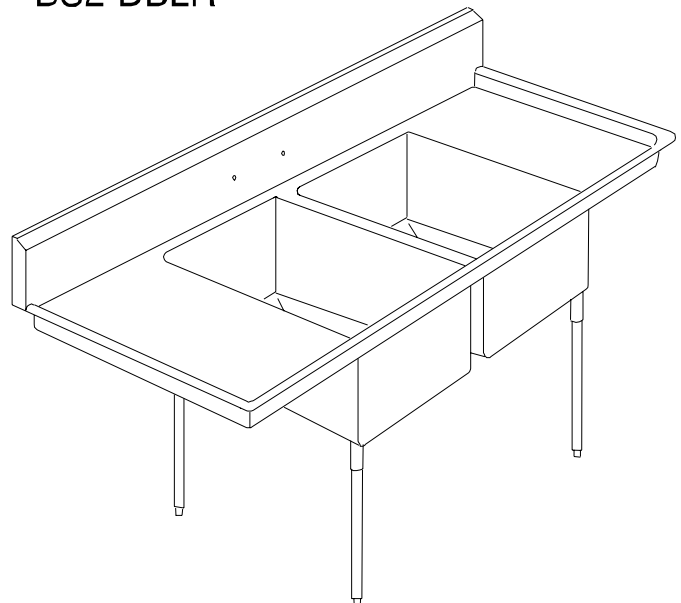
QUANTITY



BS2-DBLR

SPECIFICATIONS:

14 gauge type 304 stainless steel custom standard sink as manufactured by Broadway Sheet Metal and MFG. So.San Francisco, California. Drainboard(s) pitched toward tubs. Tub(s) to be integrally welded to entire sink area. Sink Compartment(s) to have a die pressed star for positive drainage to 3-1/2" center drain. All corners to be radius coved conforming to NSF standards. Backsplash to be 10" high with 45 degree angle and 1" back with 3/4" flange turned down. 1-5/8" tubular, 16-gauge stainless steel legs with NSF adjustable bullet feet fitted into stainless steel leg sockets, sockets are welded to a re-inforced plate which is welded to the sinks.



CUSTOM SPECIFICATIONS: