

# BROADWAY

## SHEET METAL & MFG.

<b>SINGLE TUB, NO DRAINBOARD</b>			
MODEL#	TUB SIZE	LENGTH	WIDTH
BS1-1717	17"X17"	20"	20 ½ "
BS1-1723	17"X23"	20"	26 ½ "
BS1-2323	23"X23"	26"	26 ½ "
BS1-2329	23"X29"	26"	32 ½ "
BS1-2929	29"X29"	32"	32 ½ "

JOB

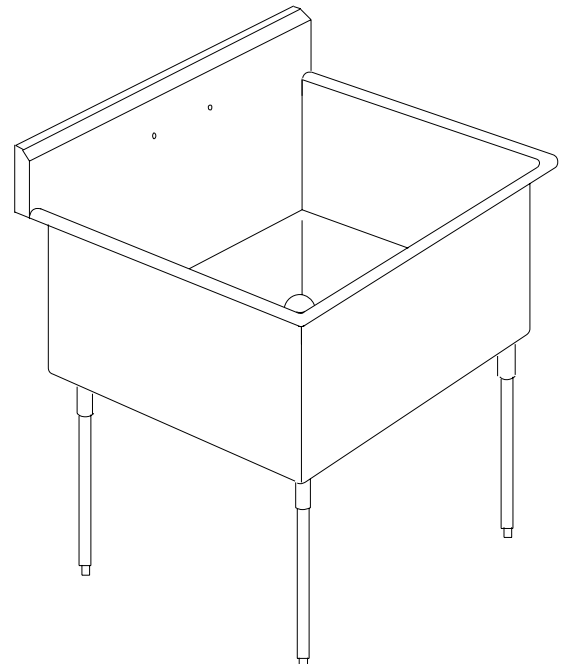
ITEM#

MODEL#

QUANTITY



BS1



**SPECIFICATIONS:**

14 gauge type 304 stainless steel custom standard sink as manufactured by Broadway Sheet Metal and MFG. So.San Francisco, California. Drainboard(s) pitched toward tubs. Tub(s) to be integrally welded to entire sink area. Sink Compartment(s) to have a die pressed star for positive drainage to 3-1/2" center drain. All corners to be radius coved conforming to NSF standards. Backsplash to be 10" high with 45 degree angle and 1" back with 3/4" flange turned down. 1-5/8" tubular, 16-gauge stainless steel legs with NSF adjustable bullet feet fitted into stainless steel leg sockets, sockets are welded to a re-inforced plate which is welded to the sinks.

**CUSTOM SPECIFICATIONS:**

133 Starlite Street, So.San Francisco, California 94080  
 PH (650) 873-4585 FX (650) 873-4582 EMAIL: BSMMFG@PACBELL.NET